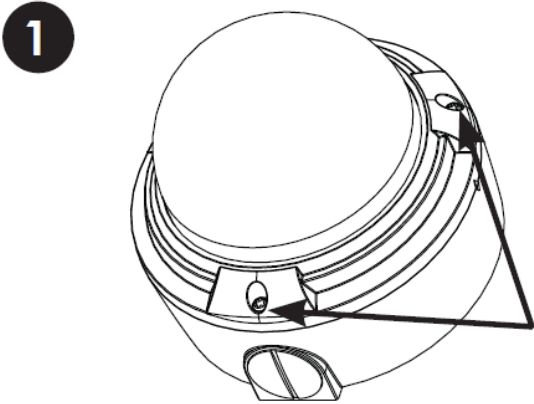
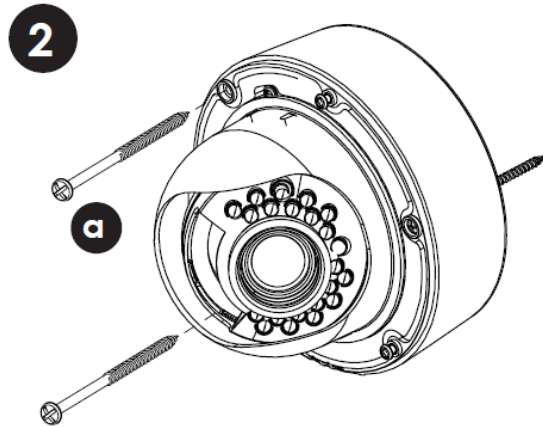


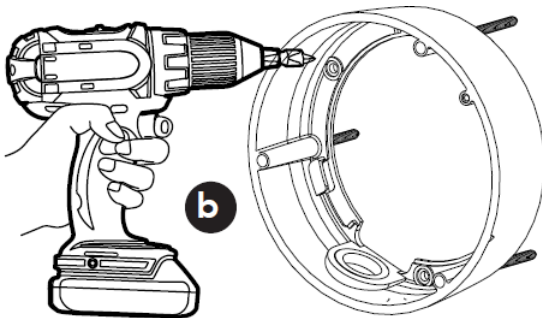
## VANDAL DOME CAMERA INSTRUCTIONAL DIAGRAMS



### Direct Wall Mounting Option



### Camera Base Mounting Option



## VANDAL DOME CAMERA INSTALLATION INSTRUCTIONS

- 1) After carefully unpacking the camera, loosen the security screws using the provided T-15 standard size allen wrench. Carefully remove the dome cover.



**Note:**  
When installing conduit to the camera, use the provided tool, to loosen and tighten the caps.

### Direct Wall Mounting Option

- 2) (a) Using the included mounting template, use a fine tip marker or pencil to mark the holes on the mounting surface. Then pre-drill the holes and use the included 2.8" mounting screws to mount to the surface.

**Note:**  
Remove one of the locking screws on the base which is pre-installed for shipping. Replace it with the 3<sup>rd</sup> 2.8" mounting screw.

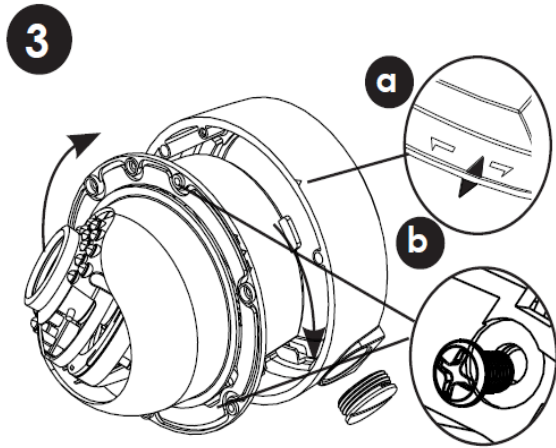
Go to step **4** to follow the rest of the steps to complete the installation

### Camera Base Mounting Option

(b) To mount to a junction box plate – first remove the camera base by unscrewing the locking screw. Turn counter-clockwise approximately 5 degrees - to detach camera base from the camera module.

Use the 1.2" screws to install the base by simply aligning the correct holes as indicated on the included mounting template.

## Junction Box Mounting Option



## Junction Box Mounting Option

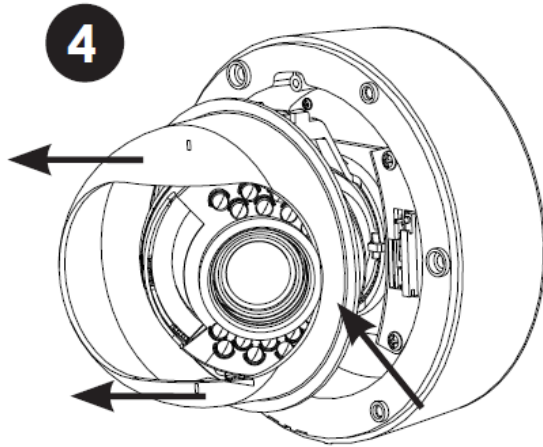
- 3) To mount directly to a junction box, you must first attach the included fitting plate to the junction box. Next attach the camera base to the fitting plate.

(a) Insert the camera module into the camera base by aligning the arrow notches, then by turning the camera module clockwise in lock it in place.

(b) You must use the three supplied base locking screws to secure the camera base back to the camera module.

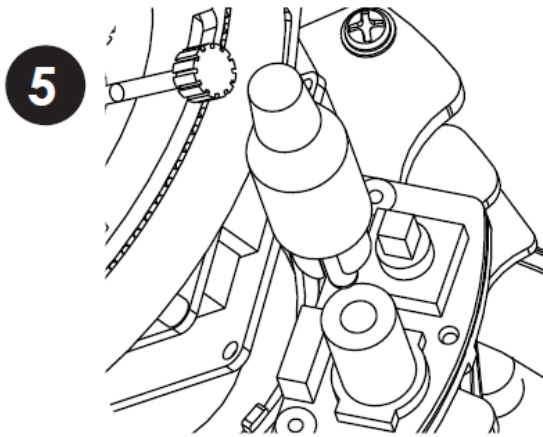
Go to step **4** to follow the rest of the steps to complete the installation

## VANDAL DOME CAMERA TESTING DIAGRAMS



- 4) To remove the sun shield – gently squeeze the front and the back of the cover as indicated by the “PRESS” indicators at the same time.

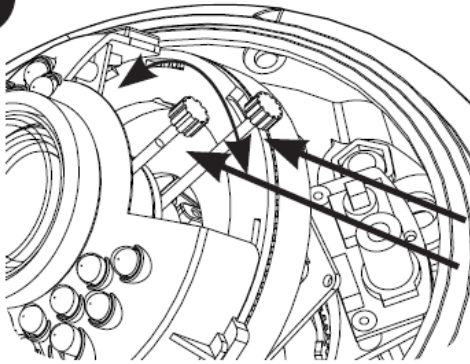
Slowly lift the sun shield up and away from the lens holder.



- 5) Then locate the video testing cable and plug it into the RCA jack as indicated on the diagram.

Then connect the camera to a power supply and to a test monitor to test the video output.

6



6) (a) Carefully adjust the cameras viewing angle and secure it into place using a small flathead screwdriver on the thumb screw – as denoted by the arrows in the diagram.

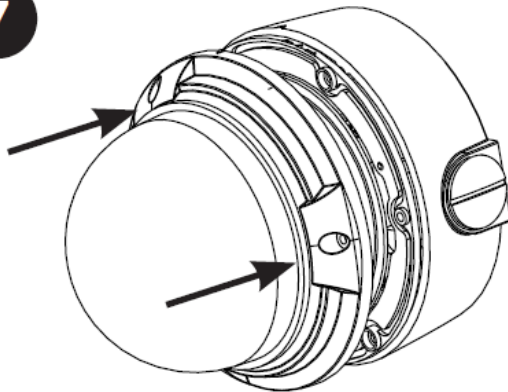
(b) Then adjust the zoom and focal points of the lens and OSD – On Screen Display as required to achieve the optimal settings for all lighting conditions.

(c) Then re-attach the sun shield – using caution not to touch or move the internal bracket, which will change the pre-set angle. You should use the thumb screws as a guide, until it snaps into place.

**Note:**

The lens adjustment levers are by default in the tightened to a locked position. Gently turn them counter clockwise to unlock – then tighten levers to secure lens setting.

7



7) (a) To re-attach the dome cover, simply line up arrows that were previously as shown in figure 3a as a guide.

(b) Now use the same allen key to re-tighten the security screws firmly to create a proper weatherproof seal.

**Note:**

Be careful to not get the rubber seal caught in the seam, when tightening the dome cover.